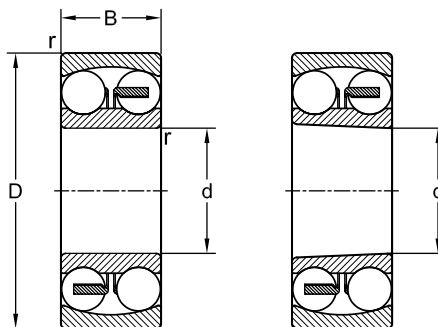


Ball Bearings

Self Aligning
Inch Series

RL, RM



Cylindrical bore

Tapered bore

Dimensions				Load Rating		AEC Bearing	K
inch (mm)				kN			
d	D	B	r	Dynamic (C)	Static (C ₀)		
0.500	1.3125	0.3750	0.0315 (0.8)	5.65	1.48	RL 4	
	1.6250	0.6250	0.0630 (1.6)	12.10	2.95	RM 4	
0.625	1.5625	0.4375	0.0315 (0.8)	8.25	2.42	RL 5	
	1.8125	0.6250	0.0630 (1.6)	12.90	3.67	RM 5	
0.750	1.8750	0.5625	0.0630 (1.6)	10.30	3.17	RL 6	
	2.0000	0.6875	0.0630 (1.6)	12.90	4.01	RM 6	
0.875	2.0000	0.5625	0.0630 (1.6)	12.90	4.01	RL 7	•
	2.2500	0.6875	0.0630 (1.6)	18.40	5.45	RM 7	•
1.000	2.2500	0.6250	0.0630 (1.6)	15.40	4.96	RL 8	•
	2.5000	0.7500	0.0945 (2.4)	21.30	6.55	RM 8	•
1.125	2.5000	0.6250	0.0630 (1.6)	16.30	5.80	RL 9	•
	2.8125	0.8125	0.0945 (2.4)	25.50	8.35	RM 9	•
1.250	2.7500	0.6875	0.0630 (1.6)	16.40	6.65	RL 10	•
	3.1250	0.8750	0.0945 (2.4)	0.00	10.50	RM 10	•
1.375	3.0000	0.6875	0.0630 (1.6)	19.10	7.55	RL 11	•
	3.5000	0.8750	0.0945 (2.4)	26.10	9.80	RM 11	•
1.500	3.2500	0.7500	0.0945 (2.4)	20.00	8.55	RL 12	•
	3.7500	0.9375	0.0945 (2.4)	34.10	13.10	RM 12	•
1.625	3.5000	0.7500	0.0945 (2.4)	22.70	9.60	RL 13	•
	4.0000	0.9375	0.0945 (2.4)	32.90	13.10	RM 13	•
1.750	3.7500	0.8125	0.0945 (2.4)	23.60	10.80	RL 14	•
	4.2500	1.0625	0.0945 (2.4)	44.50	18.00	RM 14	•
1.875	4.0000	0.8125	0.0945 (2.4)	27.80	13.40	RL 15	•
	4.5000	1.0625	0.0945 (2.4)	42.80	16.20	RM 15	•
2.000	4.0000	0.8125	0.0945 (2.4)	27.80	13.40	RL 16	•
	4.5000	1.0625	0.0945 (2.4)	42.80	16.20	RM 16	•
2.250	4.5000	0.8750	0.0945 (2.4)	31.50	15.50	RL 18	•
	5.0000	1.2500	0.1260 (3.2)	58.50	24.90	RM 18	•
2.500	5.0000	0.9375	0.0945 (2.4)	37.30	19.70	RL 20	•
	5.5000	1.2500	0.1260 (3.2)	60.50	24.20	RM 20	•
2.750	5.2500	0.9375	0.0945 (2.4)	40.60	21.40	RL 22	
	6.2500	1.3750	0.1260 (3.2)	74.50	33.00	RM 22	

Dimensions				Load Rating		AEC Bearing	K
inch (mm)				kN			
d	D	B	r	Dynamic (C)	Static (C ₀)		
3.000	5.7500	1.0625	0.0945 (2.4)	43.10	22.90	RL 24	•
	7.0000	1.5625	0.1575 (4.0)	86.50	36.40	RM 24	•
3.250	6.0000	1.0625	0.0945 (2.4)	58.50	27.60	RL 26	•
	7.5000	1.5625	0.1575 (4.0)	101.00	41.30	RM 26	•
3.375	7.5000	1.5625	0.1575 (4.0)	101.00	41.30	RM 27	
3.500	6.5000	1.1250	0.1260 (3.2)	66.00	30.90	RL 28	•
	8.1250	1.7500	0.1575 (4.0)	133.00	56.00	RM 28	•
3.750	6.7500	1.1250	0.1260 (3.2)	64.50	31.00	RL 30	•
	8.2500	1.7500	0.1575 (4.0)	135.00	64.00	RM 30	
4.000	7.2500	1.2500	0.1260 (3.2)	75.50	36.60	RL 32	•
	8.5000	1.7500	0.1575 (4.0)	149.00	76.50	RM 32	•
4.250	7.5000	1.2500	0.1260 (3.2)	77.50	39.20	RL 34	
	8.7500	1.7500	0.1890 (4.8)	146.00	76.50	RM 34	
4.500	8.0000	1.3125	0.1260 (3.2)	85.50	45.20	RL 36	•
	9.4021	2.0000	0.1890 (4.8)	159.00	78.50	RM 36	
4.750	8.2500	1.3125	0.1260 (3.2)	84.00	45.20	RL 38	•
	10.0000	2.0000	0.1890 (4.8)	168.00	90.00	RM 38	
5.000	9.0000	1.3750	0.1260 (3.2)	88.00	46.00	RL 40	•
	10.0000	2.0000	0.1890 (4.8)	168.00	90.00	RM 40	
5.500	9.5000	1.3750	0.1260 (3.2)	109.00	60.50	RL 44	
	11.0000	2.0000	0.1890 (4.8)	191.00	113.00	RM 44	
6.000	10.5000	1.5625	0.1575 (4.0)	120.00	68.50	RL 48	
	12.0000	2.2500	0.1890 (4.8)	211.00	129.00	RM 48	
0.500	1.3125	0.3750	0.0315 (0.8)	5.65	1.48	RL 4	
	1.6250	0.6250	0.0630 (1.6)	12.10	2.95	RM 4	
0.625	1.5625	0.4375	0.0315 (0.8)	8.25	2.42	RL 5	
	1.8125	0.6250	0.0630 (1.6)	12.90	3.67	RM 5	
0.750	1.8750	0.5625	0.0630 (1.6)	10.30	3.17	RL 6	
	2.0000	0.6875	0.0630 (1.6)	12.90	4.01	RM 6	
0.875	2.0000	0.5625	0.0630 (1.6)	12.90	4.01	RL 7	•
	2.2500	0.6875	0.0630 (1.6)	18.40	5.45	RM 7	•
1.000	2.2500	0.6250	0.0630 (1.6)	15.40	4.96	RL 8	•
	2.5000	0.7500	0.0945 (2.4)	21.30	6.55	RM 8	•
1.125	2.5000	0.6250	0.0630 (1.6)	16.30	5.80	RL 9	•
	2.8125	0.8125	0.0945 (2.4)	25.50	8.35	RM 9	•
1.250	2.7500	0.6875	0.0630 (1.6)	16.40	6.65	RL 10	•
	3.1250	0.8750	0.0945 (2.4)	0.00	10.50	RM 10	•
1.375	3.0000	0.6875	0.0630 (1.6)	19.10	7.55	RL 11	•
	3.5000	0.8750	0.0945 (2.4)	26.10	9.80	RM 11	•
1.500	3.2500	0.7500	0.0945 (2.4)	20.00	8.55	RL 12	•
	3.7500	0.9375	0.0945 (2.4)	34.10	13.10	RM 12	•
1.625	3.5000	0.7500	0.0945 (2.4)	22.70	9.60	RL 13	•
	4.0000	0.9375	0.0945 (2.4)	32.90	13.10	RM 13	•
1.750	3.7500	0.8125	0.0945 (2.4)	23.60	10.80	RL 14	•
	4.2500	1.0625	0.0945 (2.4)	44.50	18.00	RM 14	•
1.875	4.0000	0.8125	0.0945 (2.4)	27.80	13.40	RL 15	•
	4.5000	1.0625	0.0945 (2.4)	42.80	16.20	RM 15	•
2.000	4.0000	0.8125	0.0945 (2.4)	27.80	13.40	RL 16	•

Dimensions				Load Rating		AEC Bearing	K
inch (mm)				kN			
d	D	B	r	Dynamic (C)	Static (C ₀)		
	4.5000	1.0625	0.0945 (2.4)	42.80	16.20	RM 16	•
2.250	4.5000	0.8750	0.0945 (2.4)	31.50	15.50	RL 18	•
	5.0000	1.2500	0.1260 (3.2)	58.50	24.90	RM 18	•
2.500	5.0000	0.9375	0.0945 (2.4)	37.30	19.70	RL 20	•
	5.5000	1.2500	0.1260 (3.2)	60.50	24.20	RM 20	•
2.750	5.2500	0.9375	0.0945 (2.4)	40.60	21.40	RL 22	
	6.2500	1.3750	0.1260 (3.2)	74.50	33.00	RM 22	
3.000	5.7500	1.0625	0.0945 (2.4)	43.10	22.90	RL 24	•
	7.0000	1.5625	0.1575 (4.0)	86.50	36.40	RM 24	•
3.250	6.0000	1.0625	0.0945 (2.4)	58.50	27.60	RL 26	•
	7.5000	1.5625	0.1575 (4.0)	101.00	41.30	RM 26	•