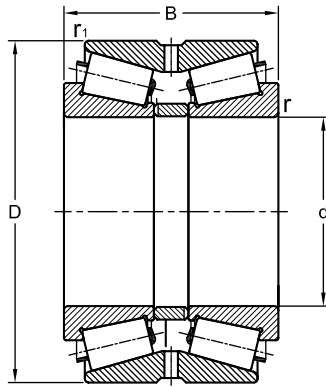


Taper Roller Bearings

Double Row
Metric Series

97, 209, 430



Dimensions				Load Rating			AEC Bearing
mm				kN			
d	D	B	r	r ₁	Dynamic (C)	Static (C ₀)	
30	62	50	1	0.6	58.7	54.0	97506
40	80	55	2	1.0	91.2	87.9	97508
45	85	55	2	1.0	86.7	83.6	97509
50	90	55	2	1.0	100.0	107.0	97510
55	100	60	2	1.0	122.0	121.0	97511
60	110	65	2	1.0	141.0	148.0	97512
70	125	75	2	1.0	185.0	199.0	97514
75	130	75	2	1.0	193.0	212.0	97515
80	140	80	3	1.0	224.0	246.0	97516
90	160	96	3	1.0	294.0	336.0	97518
95	170	108	3	1.0	380.0	440.0	97519
100	180	83	3	1.0	457.0	1124.1	430220
	180	112	3	1.0	391.0	462.0	97520
105	190	118	3	1.0	455.0	546.0	97521
120	200	110	3	0.6	429.0	517.0	2097724
	215	136	3	1.0	591.0	744.0	97524
130	210	110	3	0.6	475.0	599.0	2097726
	230	149	4	1.5	650.0	841.0	97526
150	210	85	3	0.6	270.0	3900.0	2097930
	250	138	3	1.0	667.0	838.0	2097730
	270	172	4	1.5	924.0	1180.0	97530
160	270	150	3	1.0	791.0	1050.0	2097732
180	250	95	3	0.6	417.0	583.0	2097936
	280	134	3	1.0	715.0	950.0	2097136
	300	164	4	1.5	958.0	1290.0	2097736
190	260	95	3	0.6	431.0	618.0	2097938
	320	172	4	1.5	991.0	1300.0	2097738
200	280	118	3	1.0	545.0	8200.0	2097940
	310	151	3	1.0	857.0	1210.0	2097140
	340	183	4	1.5	1250.0	1680.0	2097740
220	300	110	3	1.0	577.0	900.0	2097944
	340	165	4	1.5	1030.0	1400.0	2097144

Dimensions					Load Rating		AEC Bearing
mm					kN		
d	D	B	r	r ₁	Dynamic (C)	Static (C ₀)	
240	370	200	5	1.5	1400.0	1870.0	2097744
	320	109	3	1.0	585.0	927.0	2097948
	340	165	4	1.0	1030.0	1400.0	2097148
260	400	210	5	1.5	1580.0	2170.0	2097748
	360	136	3	1.0	850.0	1280.0	2097952
	400	186	5	1.5	1350.0	1960.0	2097152
280	440	225	5	1.5	1920.0	2590.0	2097752
	420	189	5	1.5	1420.0	2030.0	2097156
300	420	160	4	1.0	1260.0	1800.0	2097960
340	460	160	4	1.0	1350.0	2000.0	2097968
360	480	160	4	1.0	1390.0	2090.0	2097972