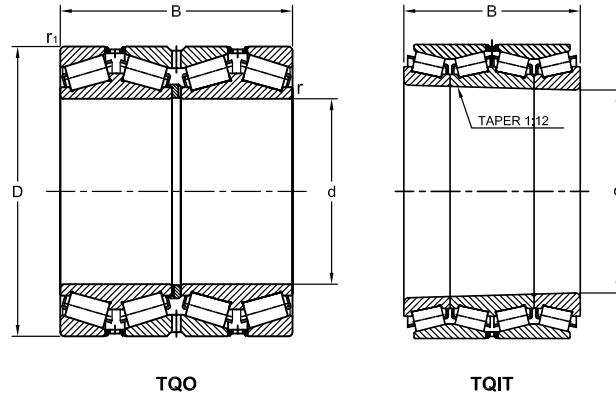


# Taper Roller Bearings

Four Row  
Metric & Inch Series

**HM, LM, M**



| Dimensions |     |        |     | Load Rating    |             |                          | AEC Bearing             | Design |
|------------|-----|--------|-----|----------------|-------------|--------------------------|-------------------------|--------|
| mm         |     |        |     | kN             |             |                          |                         |        |
| d          | D   | B      | r   | r <sub>1</sub> | Dynamic (C) | Static (C <sub>0</sub> ) |                         |        |
| 95.25      | 137 | 122.24 | 0.8 | 2.3            | 452.6       | 553.5                    | LM 119348 D/11/11 D     | TQO    |
| 127        | 183 | 158.75 | 1.5 | 3.3            | 746.7       | 1014.1                   | 48290 DW/220/220 D      | TQO    |
| 177        | 248 | 192.09 | 1.5 | 3.3            | 1003.8      | 2773.9                   | 67790 D/20/21 D         | TQO    |
| 181        | 284 | 239.72 | 3.3 | 3.3            | 1473.2      | 3662.7                   | M 240631 T/611 TD/611 D | TQIT   |
| 206        | 282 | 190.50 | 0.8 | 3.3            | 1390.2      | 2160.9                   | 67986 DW/20/21 D        | TQO    |
| 220        | 340 | 305.00 | 3.0 | 3.0            | 2522.2      | 5760.8                   | 2077144                 | TQO    |
| 221        | 314 | 239.71 | 1.5 | 3.3            | 2057.7      | 2856.9                   | M 244249 D/210/210 D    | TQO    |
| 244        | 327 | 193.68 | 1.5 | 3.3            | 1685.7      | 2429.7                   | LM 247748 D/710/710 D   | TQO    |
| 260.35     | 422 | 317.50 | 6.4 | 3.3            | 3661.3      | 5161.8                   | HMC 252349 D/310/310 D  | TQO    |
| 267        | 356 | 228.60 | 1.5 | 3.3            | 1835.2      | 5324.4                   | LM 451349 DW/10/10 D    | TQO    |
| 280        | 460 | 324.00 | 5.0 | 5.0            | 2800.0      | 3840.0                   | 1077756                 | TQO    |
| 286        | 381 | 244.48 | 1.5 | 3.3            | 2614.8      | 4007.2                   | LM 654648 DW/610/610 D  | TQO    |
| 289        | 406 | 298.45 | 3.3 | 3.3            | 3684.6      | 5362.2                   | M 255449 D/410/410 D    | TQO    |
| 300        | 460 | 390.00 | 4.0 | 4.0            | 3240.0      | 5070.0                   | 2077160                 | TQO    |
| 318        | 448 | 327.03 | 3.3 | 3.3            | 4960.6      | 7280.0                   | HM 259049 D/10/10 D     | TQO    |
| 343        | 457 | 252.50 | 1.5 | 3.3            | 2388.0      | 6780.0                   | LM 761649 DW/610/610 D  | TQO    |
| 348        | 470 | 292.10 | 3.3 | 3.3            | 3989.9      | 5676.4                   | HM 262449 DW/410/410 D  | TQO    |
| 368        | 524 | 382.59 | 3.3 | 6.4            | 6949.1      | 10245.7                  | M 265049 DW/010/010 D   | TQO    |
| 384        | 546 | 400.05 | 3.3 | 6.4            | 6981.2      | 9950.2                   | HM 266449 DW/410/410 D  | TQO    |
| 406        | 546 | 288.92 | 1.5 | 6.4            | 3576.8      | 10589.9                  | LM 767749 DW/10/10 D    | TQO    |
| 450        | 595 | 368.00 | 3.0 | 6.0            | 7209.0      | 10603.5                  | M 270449 DW/410/410 D   | TQO    |
| 480        | 700 | 420.00 | 6.0 | 2.5            | 5468.0      | 15466.6                  | 577796                  | TQIT   |
| 500        | 720 | 420.00 | 8.0 | 8.0            | 5660.0      | 9050.0                   | 771/500                 | TQO    |
| 630        | 920 | 515.00 | 8.0 | 8.0            | 8790.0      | 14600.0                  | 771/630                 | TQO    |